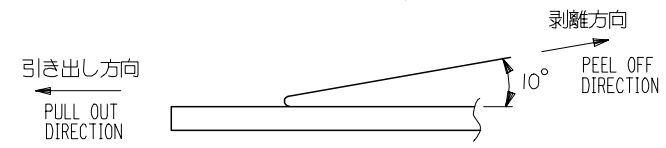
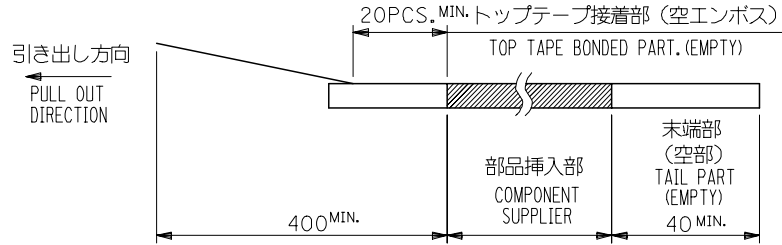


NOTES

- 梱包数量：1000個/リール  
NUMBER OF CONNECTORS : 1000PCS/REEL
- リードテープ長さ LEAD TAPE LENGTH  
20PCS. MIN. トップテープ接着部 (空エンボス)  
TOP TAPE BONDED PART. (EMPTY)  
部品挿入部 COMPONENT SUPPLIER  
末端部 (空部) TAIL PART (EMPTY)  
400 MIN. 40 MIN.
- トップテープの剥離強度：0.1~1.3N (10gf~130gf) (剥離方向は下図参照)  
尚、本規格値は出荷時に適用。(但し、輸送時に剥離が発生しないこと。)  
PEELING OFF FORCE OF TOP TAPE : 0.1~1.3N (10gf~130gf)  
(PEELING DIRECTION AS SHOWN IN FOLLOWING FIG.)  
THIS REQUIREMENT SHOULD BE APPLIED AT SHIPMENT.  
PEEL OFF SHOULD NOT BE ALLOWED , DURING TRANSPORTATION.
- 526 10-\*\*16 のアクチュエータはハウジング内に押し下げた状態とする。  
詳細寸法については 製品単体図面を参照下さい。  
ACTUATOR OF PART NO. 526 10-\*\*16 SHOULD BE LOCKED.  
RE DETAILED DIMENSIONS , SEE SALES DRAWING FOR CONNECTOR.
- 材料 (MATERIAL)  
キャリアテープ (CARRIER TAPE) : ポリプロピレン (POLYPROPYLENE)  
トップテープ (TOPTAPE) : PET , PE , PEF  
リール (REEL) : ポリスチレン (PS) <リサイクル材を含む>  
POLYSTYREN (PS) <RECYCLE MATERIAL CONTAINED>
- 本製品は 526 10-\*\*90 の鉛フリー品です



REVISED		GENERAL TOLERANCES (UNLESS SPECIFIED)		DIMENSION STYLE		SCALE	DESIGN UNITS	THIRD ANGLE PROJECTION	
EC NO: J2006-3196		10 UNDER ±0.2		MM ONLY		---	METRIC	1.0 FPC CONN SMT	
DRWN: NABE 2006/04/17		10 OVER 30 UNDER ±0.25		DRAWN BY DATE		TITLE		ZIF EMBSTP PKG	
CHKD: TOYODA 2006/04/18		30 OVER ±0.3		T. UENO '03/12/12		MOLEX INCORPORATED		-LEAD FREE-	
APPR: NUKITA 2006/04/20		ANGULAR ±3 °		CHECKED BY DATE		DOCUMENT NO.		SHEET NO.	
REV		DRAFT WHERE APPLICABLE MUST REMAIN WITHIN DIMENSIONS		M. SASAO '03/12/12		SD-52610-038		1 OF 5	
DESCRIPTION		SEE CHART		APPROVED BY DATE		THIS DRAWING CONTAINS INFORMATION THAT IS PROPRIETARY TO MOLEX INCORPORATED AND SHOULD NOT BE USED WITHOUT WRITTEN PERMISSION			
REV		SIZE A3		M. SASAO '03/12/12					

10 9 8 7 6 5 4 3 2 1

F

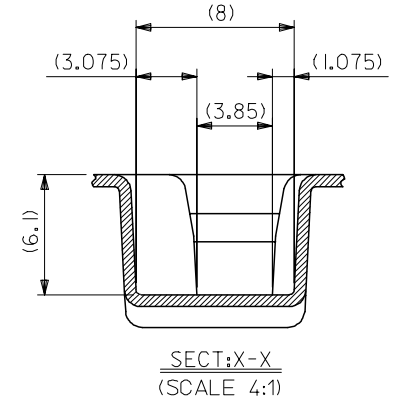
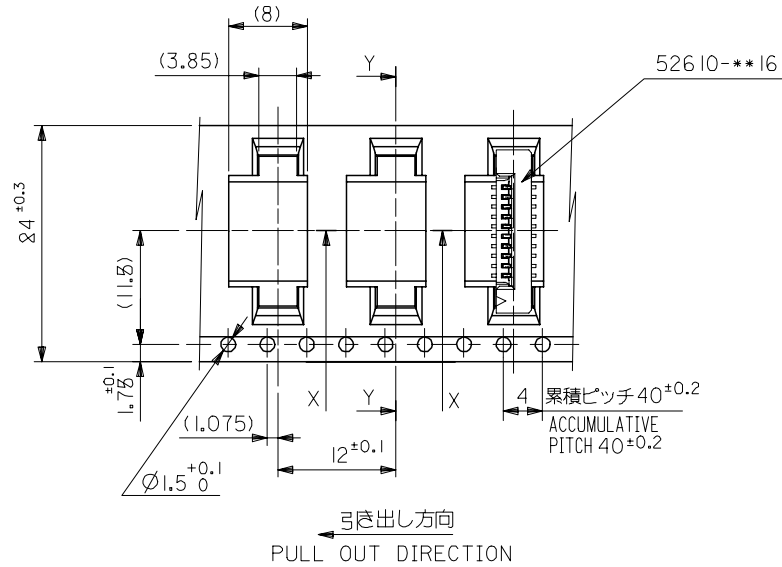
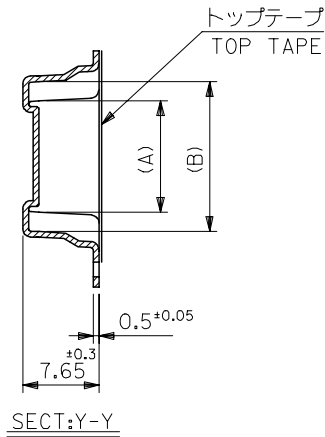
E

D

C

B

A



24	29.4	25.4	15.25	11.32	52610-1071	10
			14.25	10.32	52610-0971	9
			13.25	9.32	52610-0871	8
			12.25	8.32	52610-0771	7
			11.25	7.32	52610-0671	6
			10.25	6.32	52610-0571	5
キャリアテープ幅 CARRIER TAPE WIDTH	D	C	(B)	(A)	MATERIAL NO.	極致 CKT.

52610-\*\*\*71 MODEL NO.

REVISED EC NO.: J2006-3196 DRWN: MABEI 2006/04/17 CHKD: KTOYODA 2006/04/18 APPR: NUKITA 2006/04/20	GENERAL TOLERANCES (UNLESS SPECIFIED)		DIMENSION STYLE MM ONLY	SCALE ---	DESIGN UNITS METRIC	THIRD ANGLE PROJECTION
	10 UNDER	±0.2	DRAWN BY T.UENO	DATE '03/12/12	TITLE 1.0 FPC CONN SMT ZIF EMBSTP PKG -LEAD FREE-	
	10 OVER 30 UNDER	±0.25	CHECKED BY M.SASAO	DATE '03/12/12	MOLEX INCORPORATED	
	30 OVER	±0.3	APPROVED BY M.SASAO	DATE '03/12/12	DOCUMENT NO. SD-52610-038	SHEET NO. 2 OF 5
	ANGULAR	±3 °	MATERIAL NO.	SEE CHART		
	DRAFT WHERE APPLICABLE MUST REMAIN WITHIN DIMENSIONS		SIZE A3	THIS DRAWING CONTAINS INFORMATION THAT IS PROPRIETARY TO MOLEX INCORPORATED AND SHOULD NOT BE USED WITHOUT WRITTEN PERMISSION		

10 9 8 7 6 5 4 3 2 1

F

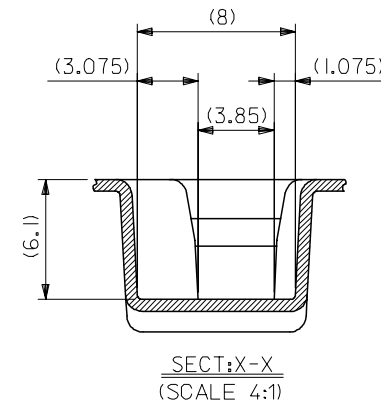
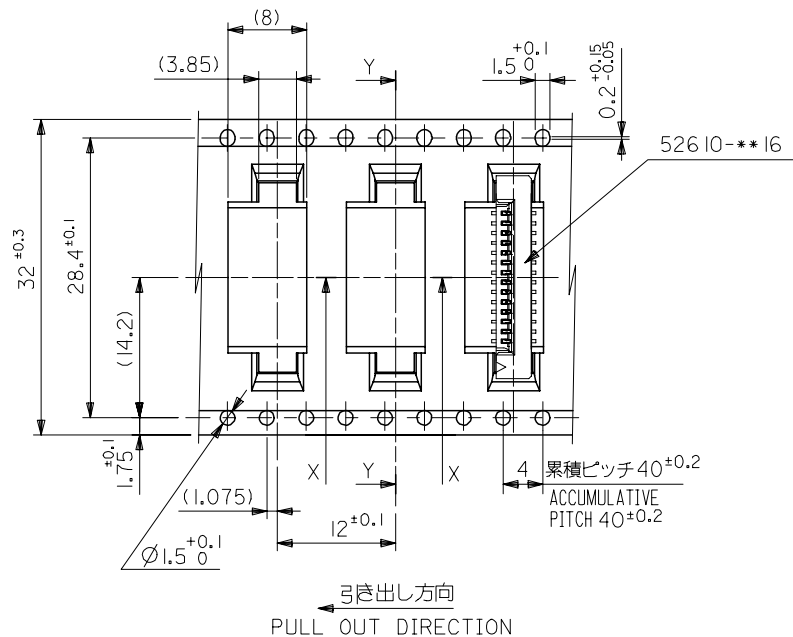
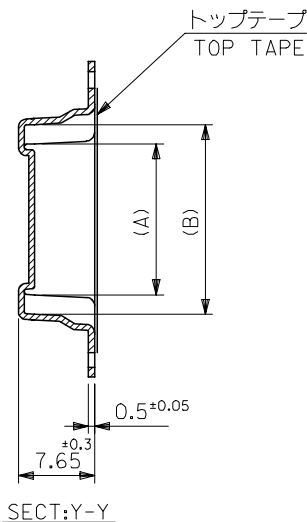
E

D

C

B

A



32	37.4	33.4	20.25	16.32	52610-1571	15
			19.25	15.32	52610-1471	14
			18.25	14.32	52610-1371	13
			17.25	13.32	52610-1271	12
			16.25	12.32	52610-1171	11
キャリアテープ幅 CARRIER TAPE WIDTH	D	C	(B)	(A)	MATERIAL NO.	極数 CKT.

52610-\*\*71 MODEL NO.

REVISED EC NO: J2006-3196 DRWN: NABE 2006/04/17 CHKD: TOYODA 2006/04/18 APPR: NUKITA 2006/04/20	GENERAL TOLERANCES (UNLESS SPECIFIED)		DIMENSION STYLE	SCALE	DESIGN UNITS	THIRD ANGLE PROJECTION	
	10 UNDER ±0.2		MM ONLY	---	METRIC	☉ □	
	10 OVER 30 UNDER ±0.25		DRAWN BY	DATE	TITLE		
	30 OVER ±0.3		T. UENO	'03/12/12	1.0 FPC CONN SMT ZIF EMBSTP PKG -LEAD FREE-		
	ANGULAR ±3 °		CHECKED BY	DATE	MOLEX INCORPORATED		
DRAFT WHERE APPLICABLE MUST REMAIN WITHIN DIMENSIONS		M. SASAO	'03/12/12	APPROVED BY	DATE	DOCUMENT NO.	
		M. SASAO	'03/12/12	MATERIAL NO.	DATE	SHEET NO.	
				SEE CHART	SD-52610-038	3 OF 5	
		THIS DRAWING CONTAINS INFORMATION THAT IS PROPRIETARY TO MOLEX INCORPORATED AND SHOULD NOT BE USED WITHOUT WRITTEN PERMISSION					

10 9 8 7 6 5 4 3 2 1

F

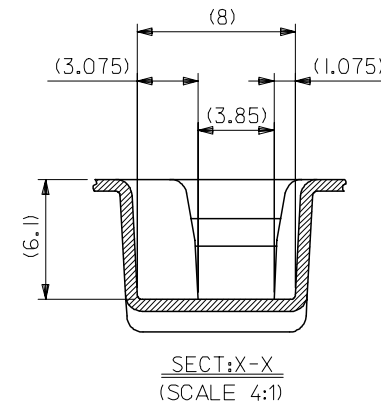
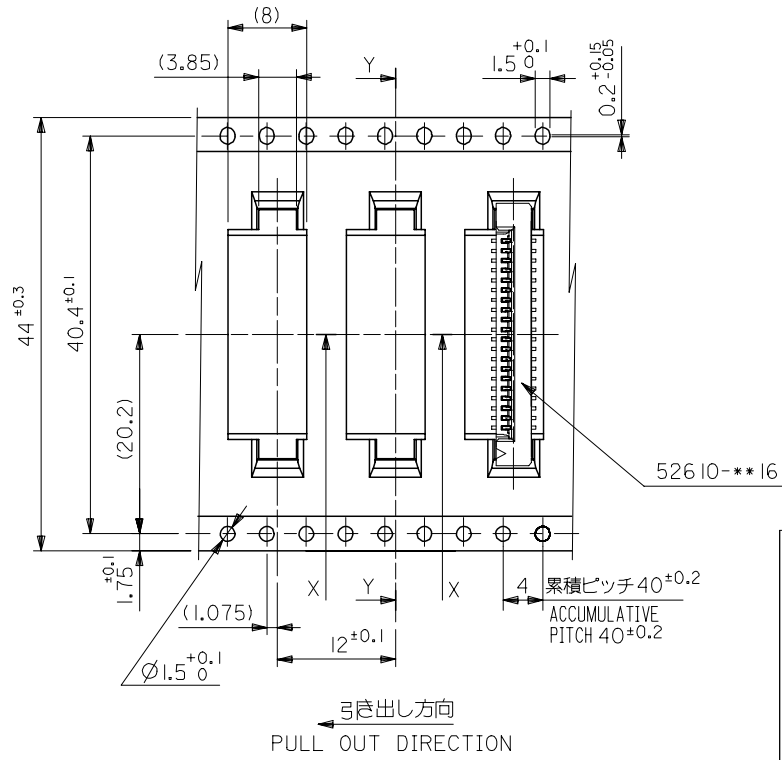
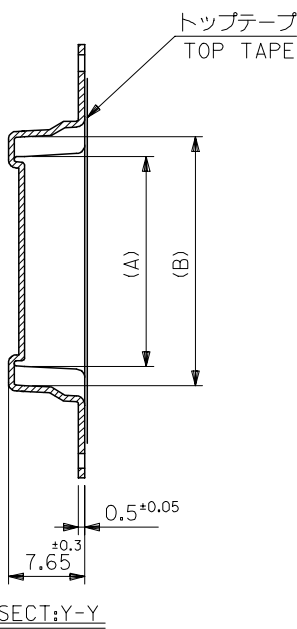
E

D

C

B

A



44	49.4	45.4	31.25	27.32	52610-2671	26
			30.25	26.32	52610-2571	25
			29.25	25.32	52610-2471	24
			28.25	24.32	52610-2371	23
			27.25	23.32	52610-2271	22
			26.25	22.32	52610-2171	21
			25.25	21.32	52610-2071	20
			24.25	20.32	52610-1971	19
			23.25	19.32	52610-1871	18
			22.25	18.32	52610-1771	17
21.25	17.32	52610-1671	16			
キャリアテープ幅 CARRIER TAPE WIDTH	D	C	(B)	(A)	MATERIAL NO.	極致 CKT.

52610-\*\*-71 MODEL NO.

REVISED EC NO: J2006-3196 DRWN: NABE 2006/04/17 CHKD: KTOYODA 2006/04/18 APPR: NUKITA 2006/04/20	GENERAL TOLERANCES (UNLESS SPECIFIED)		DIMENSION STYLE MM ONLY		SCALE ---	DESIGN UNITS METRIC	THIRD ANGLE PROJECTION
	10 UNDER	±0.2	DRAWN BY T. UENO	DATE '03/12/12	TITLE 1.0 FPC CONN SMT ZIF EMBSTP PKG -LEAD FREE-		
	10 OVER 30 UNDER	±0.25	CHECKED BY M. SASAO	DATE '03/12/12	MOLEX INCORPORATED		
	30 OVER	±0.3	APPROVED BY M. SASAO	DATE '03/12/12	MATERIAL NO.	DOCUMENT NO. SD-52610-038	SHEET NO. 4 OF 5
	ANGULAR	±3 °	SEE CHART				
DRAFT WHERE APPLICABLE MUST REMAIN WITHIN DIMENSIONS		THIS DRAWING CONTAINS INFORMATION THAT IS PROPRIETARY TO MOLEX INCORPORATED AND SHOULD NOT BE USED WITHOUT WRITTEN PERMISSION					

10 9 8 7 6 5 4 3 2 1

F

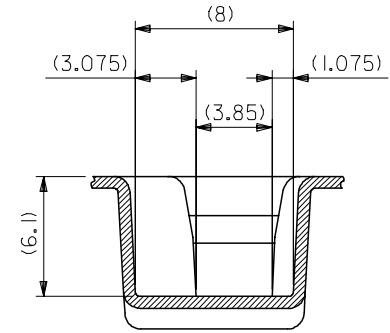
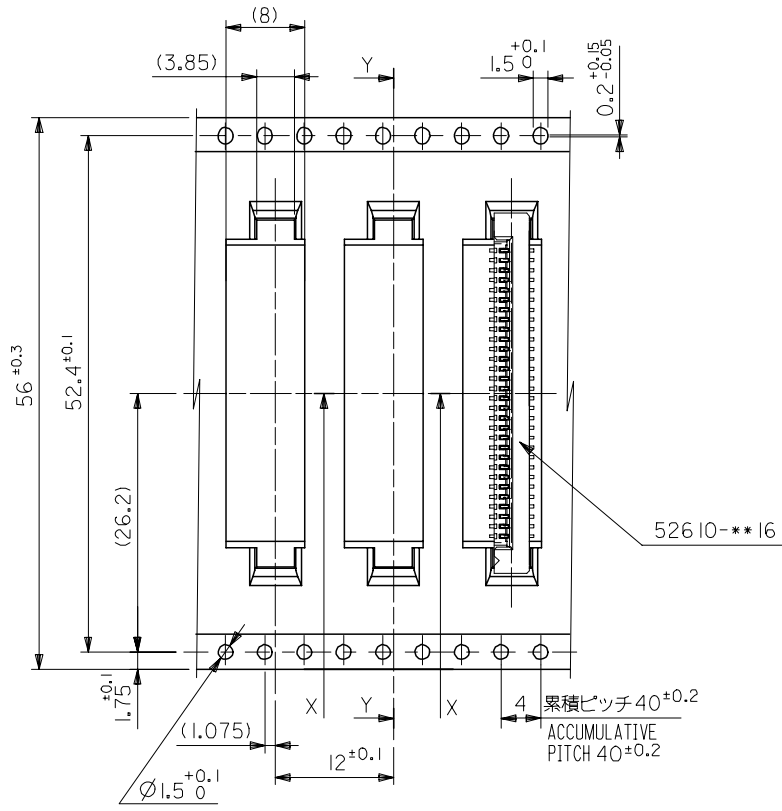
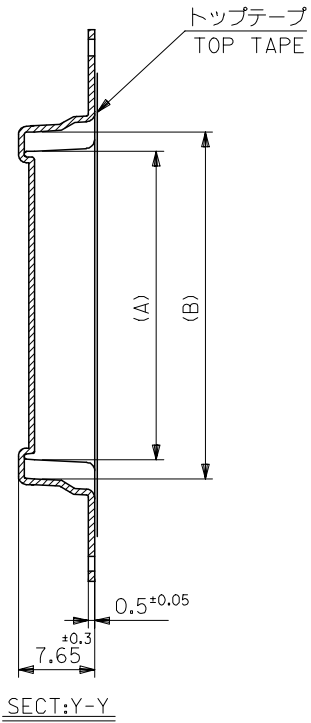
E

D

C

B

A



SECT:X-X  
(SCALE 4:1)

引き出し方向  
PULL OUT DIRECTION

56	61.4	57.4	35.25	31.32	52610-3071	30
			33.25	29.32	52610-2871	28
キャリアテープ幅 CARRIER TAPE WIDTH	D	C	(B)	(A)	MATERIAL NO.	極致 CKT.

52610-\*\*-71 MODEL NO.

REVISED EC NO: J2006-3196 DRWN: NABE 2006/04/17 CHKD: KTOYODA 2006/04/18 APPR: NUKITA 2006/04/20	GENERAL TOLERANCES (UNLESS SPECIFIED)		DIMENSION STYLE MM ONLY		SCALE ---	DESIGN UNITS METRIC	THIRD ANGLE PROJECTION
	10 UNDER	±0.2	DRAWN BY T. UENO	DATE '03/12/12	TITLE 1.0 FPC CONN SMT ZIF EMBSTP PKG -LEAD FREE-		
	10 OVER 30 UNDER	±0.25	CHECKED BY M. SASAO	DATE '03/12/12	MOLEX INCORPORATED		
	30 OVER	±0.3	APPROVED BY M. SASAO	DATE '03/12/12	MATERIAL NO. SEE CHART		
	ANGULAR	±3 °	DRAFT WHERE APPLICABLE MUST REMAIN WITHIN DIMENSIONS		DOCUMENT NO. SD-52610-038	SHEET NO. 5 OF 5	

9

8

7

6

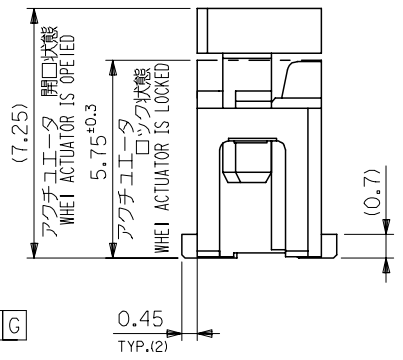
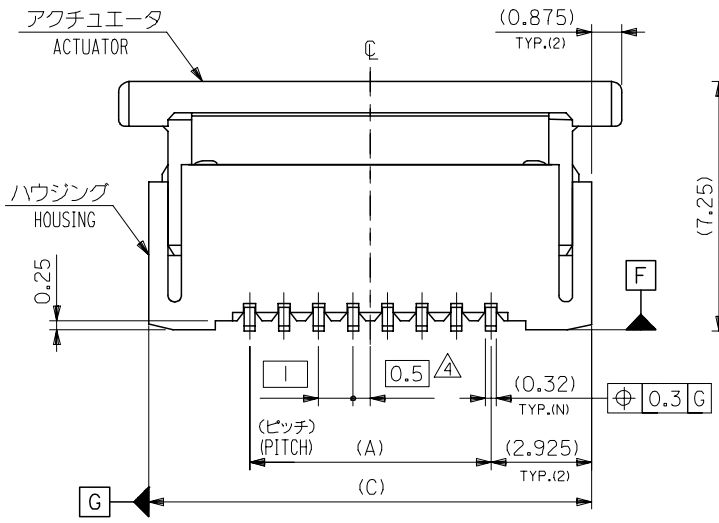
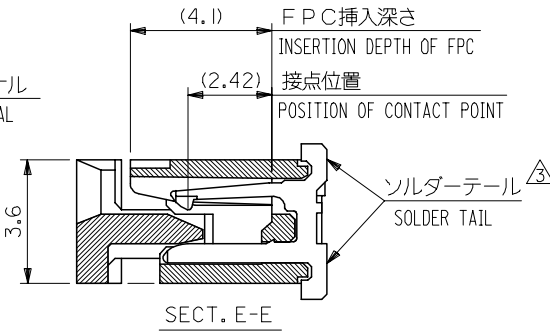
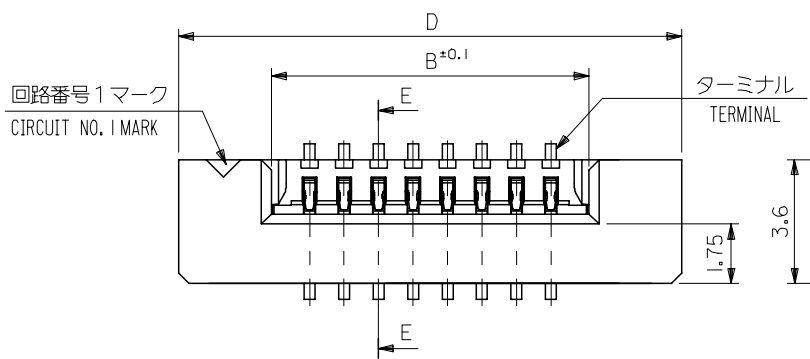
5

4

3

2

10 9 8 7 6 5 4 3 2 1



注記 (NOTES):

- 材料 (MATERIAL)  
 ハウジング (HOUSING): 46NYLON, UL94V-0  
 アクチュエータ (ACTUATOR): PPS, UL94V-0  
 ターミナル (TERMINAL): リン青銅 (+0.32) PHOS-BRO  
 錫・2%ビスマスメッキ 1. 0マイクロメートル以上  
 TIN 2% BISMUTH 1.0 MICROMETER MINIMUM  
 ニッケル下地 1. 0マイクロメートル以上  
 NICKEL (UNDER PLATING) 1.0 MICROMETER MINIMUM
- エンボステープ梱包時は、アクチュエータがロックした状態とする。  
 IN THE PACKAGE, ACTUATOR OF PART NO. 52610-\*\*\*16 SHOULD BE LOCKED.
- ③ ソルダータール半田付け面のズレ量は、基準面 [F] に対し上方向 0.05 MAX., 下方向 0.15 MAX. とする。  
 MISALIGNMENT OF SOLDER TAILS FROM [F] UPPER DIRECTION: 0.05 MAX., LOWER DIRECTION: 0.15 MAX.
- ④ 偶数極に適用。  
 APPLY FOR EVEN CIRCUIT.
- 本製品は 52610-\*\*\*17 の鉛フリー品です

REVISED EC NO: J2006-3196 DRWN: NABEI 2006/04/17 CHKD: KTOYODA 2006/04/18 APPR: NUKITA 2006/04/20	GENERAL TOLERANCES (UNLESS SPECIFIED)		DIMENSION STYLE MM ONLY	SCALE ---	MODEL NO. 52610-***16
	10 UNDER	±0.2	DRAWN BY TUENO	DATE '03/12/12	DESIGN UNITS METRIC
	10 OVER 30 UNDER	±0.25	CHECKED BY MSASAO	DATE '03/12/12	THIRD ANGLE PROJECTION
	30 OVER	±0.3	APPROVED BY MSASAO	DATE '03/12/12	TITLE 1.0 FPC CONNECTOR Z.I.F. FOR SMT.(ST.) -LEAD FREE-
	ANGULAR ±3 °	DRAFT WHERE APPLICABLE MUST REMAIN WITHIN DIMENSIONS	MATERIAL NO. SEE CHART	DOCUMENT NO. SD-52610-041	SHEET NO. 1 OF 2
			SIZE A3	THIS DRAWING CONTAINS INFORMATION THAT IS PROPRIETARY TO MOLEX INCORPORATED AND SHOULD NOT BE USED WITHOUT WRITTEN PERMISSION	

F

E

D

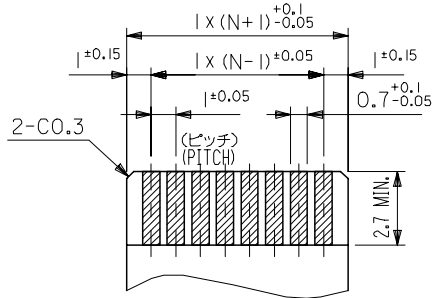
C

B

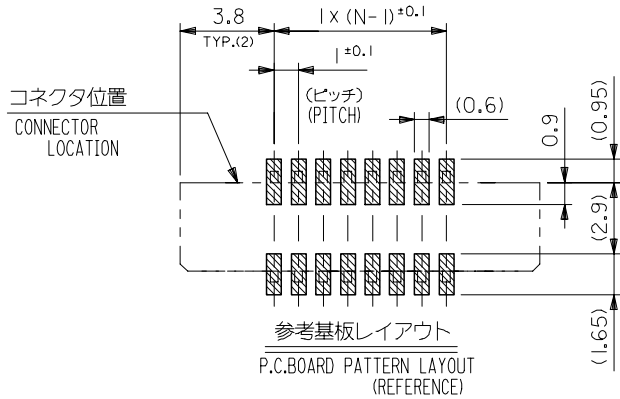
A

FPCについて：  
 打抜き方向は導体側から補強板側を推奨致します。  
 補強フィルム材質はポリイミドを推奨致します。  
 接着剤は熱硬化接着剤を推奨致します。

ABOUT FPC:  
 RECOMMENDED PUNCHER DIRECTION : FROM CONDUCTOR SIDE TO STIFFENER BOARD SIDE.  
 RECOMMENDED MATERIAL :  
 STIFFENER FILM : POLYIMIDE  
 BONDING AGENT : THERMOSETTING BONDING AGENT



適合FPC推奨寸法  
 APPLICABLE FPC RECOMMENDED DIM.  
 仕上がり厚さ (THICKNESS) :  $0.3 \pm 0.05$



36.6	34.85	31.2	29	52610-3016	30
35.6	33.85	30.2	28	-2916	29
34.6	32.85	29.2	27	-2816	28
33.6	31.85	28.2	26	-2716	27
32.6	30.85	27.2	25	-2616	26
31.6	29.85	26.2	24	-2516	25
30.6	28.85	25.2	23	-2416	24
29.6	27.85	24.2	22	-2316	23
28.6	26.85	23.2	21	-2216	22
27.6	25.85	22.2	20	-2116	21
26.6	24.85	21.2	19	-2016	20
25.6	23.85	20.2	18	-1916	19
24.6	22.85	19.2	17	-1816	18
23.6	21.85	18.2	16	-1716	17
22.6	20.85	17.2	15	-1616	16
21.6	19.85	16.2	14	-1516	15
20.6	18.85	15.2	13	-1416	14
19.6	17.85	14.2	12	-1316	13
18.6	16.85	13.2	11	-1216	12
17.6	15.85	12.2	10	-1116	11
16.6	14.85	11.2	9	-1016	10
15.6	13.85	10.2	8	-0916	9
14.6	12.85	9.2	7	-0816	8
13.6	11.85	8.2	6	-0716	7
12.6	10.85	7.2	5	-0616	6

52610-**16	11.6	9.85	6.2	4	52610-0516	5
MODEL NO.	D	(C)	B	(A)	MODEL NO.	CKT.

REVISED EC NO: J2006-3196 DRWN: NABEI 2006/04/17 CHKD: KTOYODA 2006/04/18 APPR: NUKITA 2006/04/20	GENERAL TOLERANCES (UNLESS SPECIFIED)		DIMENSION STYLE MM ONLY		SCALE ---	DESIGN UNITS METRIC	THIRD ANGLE PROJECTION
	10 UNDER	± 0.2	DRAWN BY TUENO	DATE '03/12/12	TITLE 1.0 FPC CONNECTOR I.F.F. FOR SMT. (ST.) -LEAD FREE-		
	10 OVER 30 UNDER	± 0.25	CHECKED BY MSASAO	DATE '03/12/12			
	30 OVER	± 0.3	APPROVED BY MSASAO	DATE '03/12/12	MOLEX INCORPORATED		
	ANGULAR	± 3 °	MATERIAL NO.	DOCUMENT NO. SD-52610-041			
DRAFT WHERE APPLICABLE MUST REMAIN WITHIN DIMENSIONS		SIZE A3	THIS DRAWING CONTAINS INFORMATION THAT IS PROPRIETARY TO MOLEX INCORPORATED AND SHOULD NOT BE USED WITHOUT WRITTEN PERMISSION				